

P3 系列齿轮泵简介

Introduction to P3 Series Gear Pumps

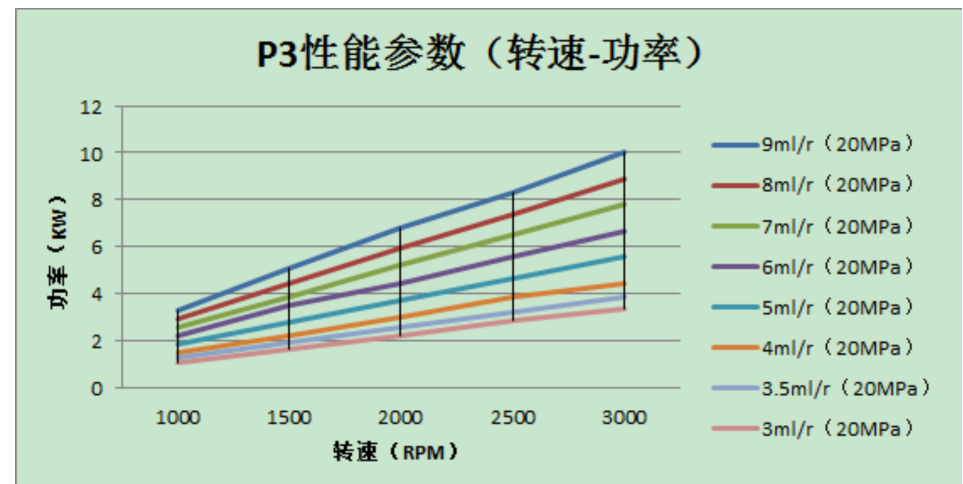
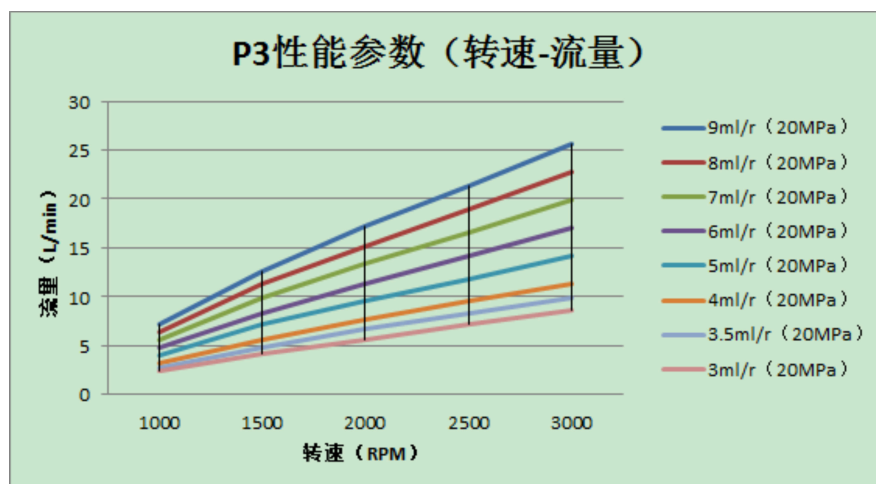
特点

- 采用铸铁整体式泵体
- 内部采用非对称齿形齿轮
- 无油润滑轴承和耐磨双金属侧板
- 安装形式、油口、轴伸有多种设计可供选择
- 结构紧凑、体积小、使用稳定可靠和寿命长特点
- 可以组装成单联泵、双联泵、三联泵结构
- 100% 出厂试验检测

FEATURES

- Adopt cast iron integral pump body
- Internal use of asymmetric gear tooth profile
- Oil-free lubricated bearings and wear-resistant bimetal side plates
- A wide range of porting ,mounting and shaft options available
- Compact structure, small size, stable and reliable use and long life characteristics
- Can be assembled into a single pump, double and triple pump structure
- 100% factory tested

性能曲线 PERFORMANCE CURVE



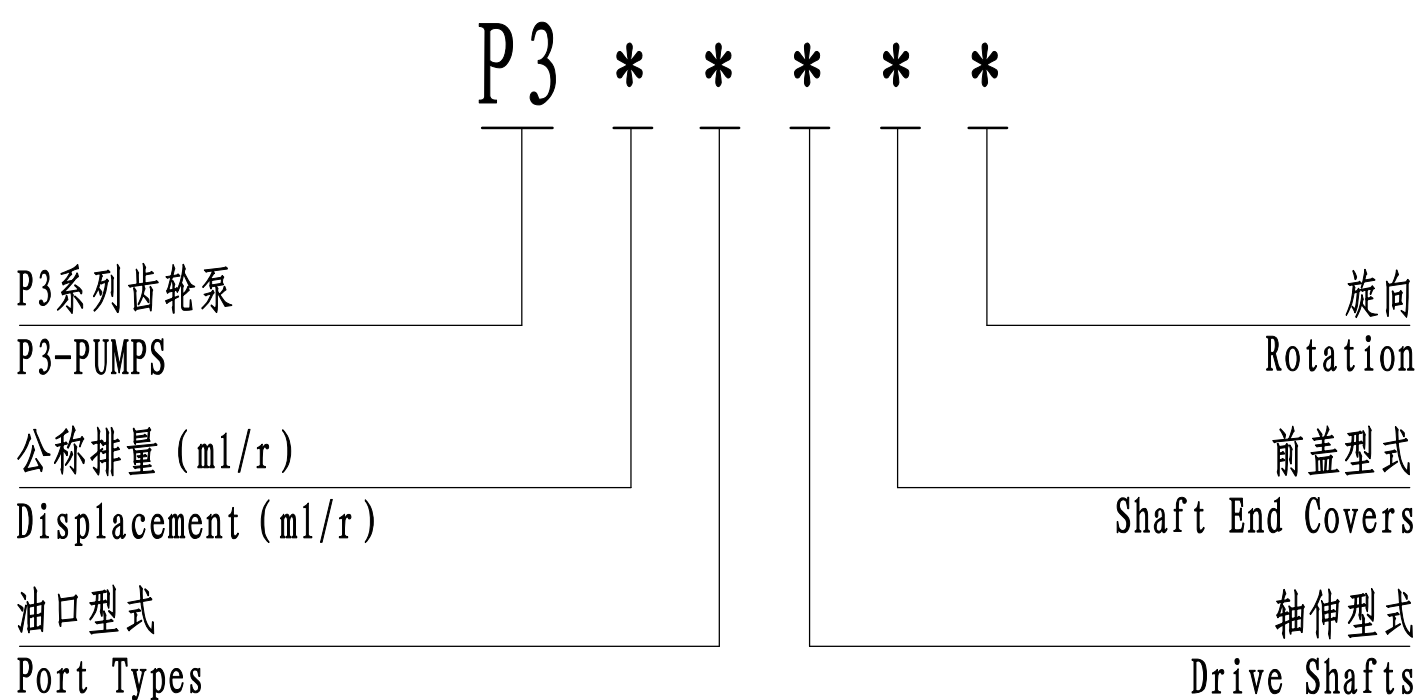
性能曲线是基于一系列试验结果汇总得出的，其数值不代表单独一台产品的性能。
Performance data given is based on a series of test and is representative of any one unit.

使用领域 APPLICATION FIELD

该产品设计构造适用于：小型履带挖机、农业机械等领域

Applicable to: Small crawler excavator, agricultural machinery, and other fields

标准型号说明 STANDARD MODEL IDENTIFICATION



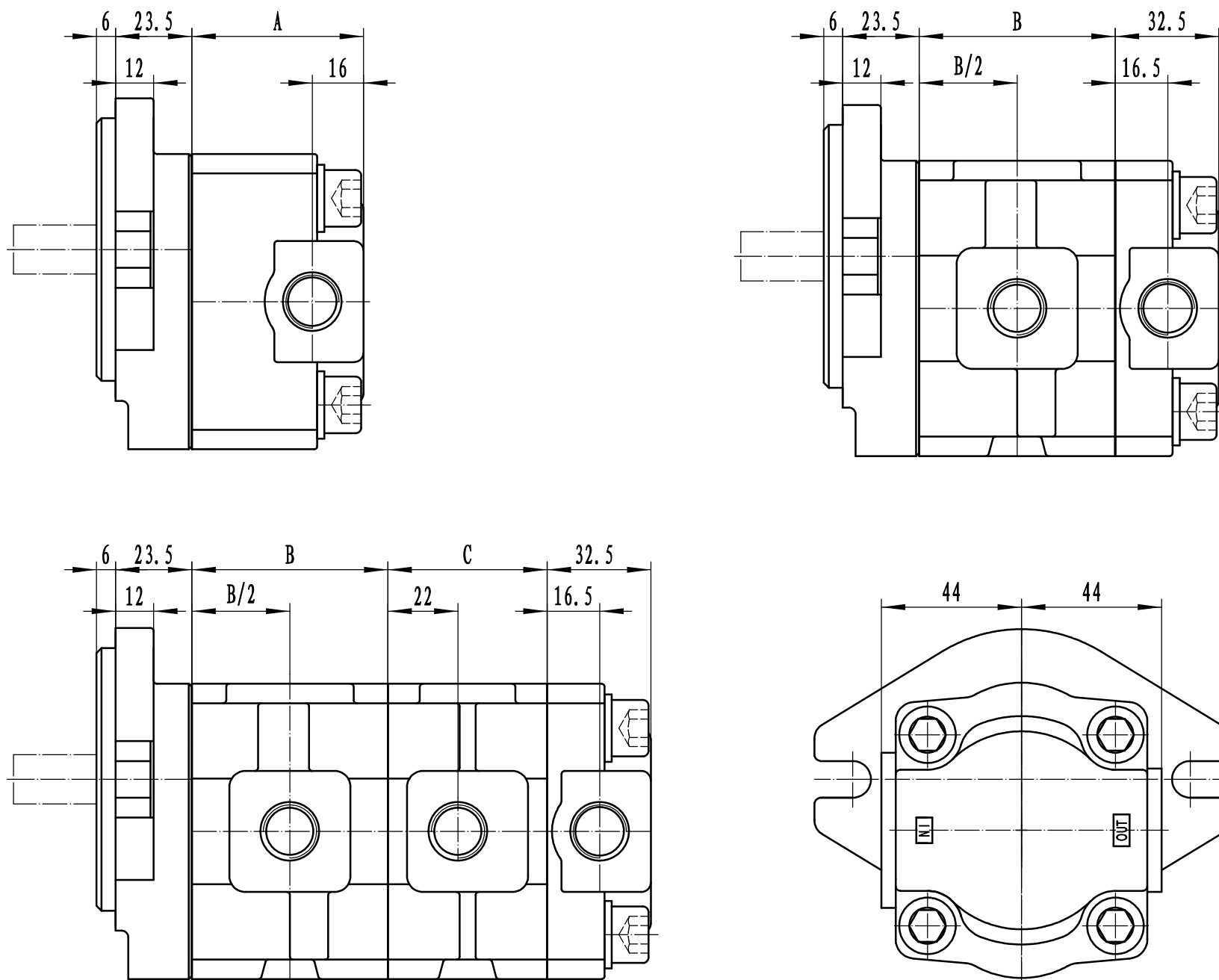
非标准产品型号请咨询派士乐研发中心

For non-standard product options, consult PARSLE R&D Dept.

性能参数 PERFORMANCE

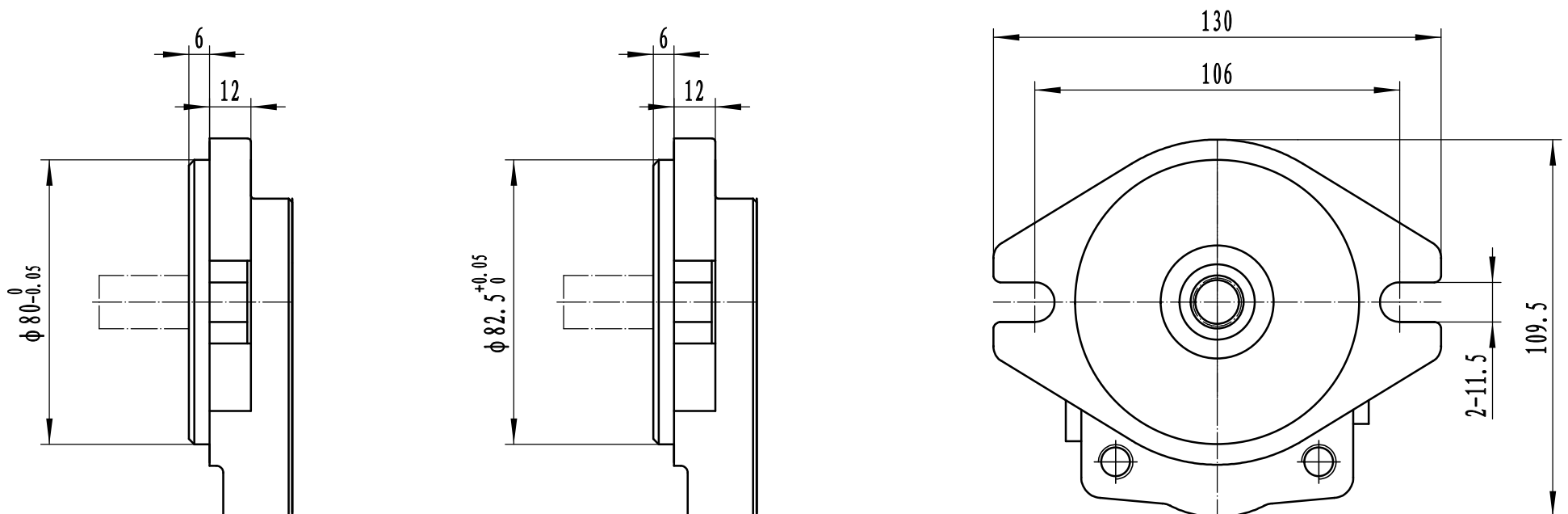
型号 Model	公称排量 Nominal displacement (ml/r)	额定压力 Rated Pressure (MPa)	最高压力 Max. Pressure (MPa)	最高转速 Max. Speed (r/min)	最低转速 Min. Speed (r/min)	A (mm)	B (mm)	C (mm)
P303	03	20.6	23	3500	600	47.0	56.5	50.0
P33.5	3.5					47.5	57.5	
P304	04					48.0	59.0	
P305	05					49.5	61.5	
P306	06					51.0	64.5	
P307	07					52.0	67.0	
P308	08					53.5	70.0	
P309	09					55.0	72.5	

外形尺寸 Outline Dimensions

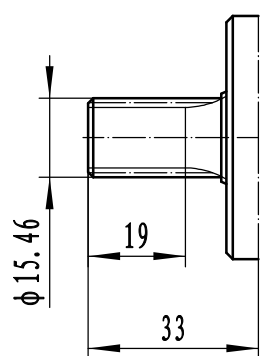


说明：尺寸“A、B、C”见“性能参数”
 Note: Dimension “A、B、C” are covered in “performance”

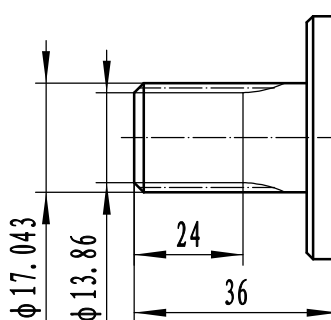
前盖型式 SHAFT END COVERS



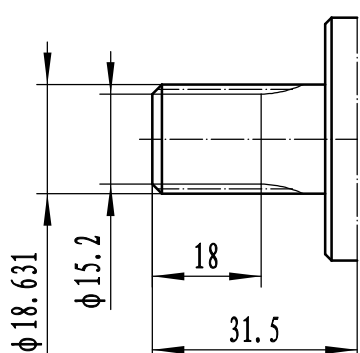
轴伸型式 DRIVE SHAFTS



SAB花键参数 SABspline	
齿数 No. of tooth	9
径节 DP	16/32
压力角 Pressure angle	30°

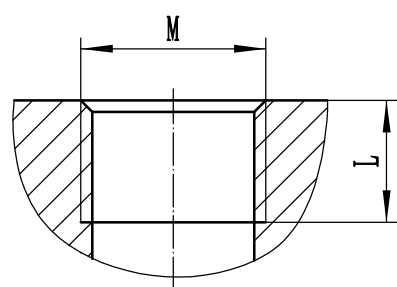


SAB花键参数 SABspline	
齿数 No. of tooth	10
径节 DP	16/32
压力角 Pressure angle	30°

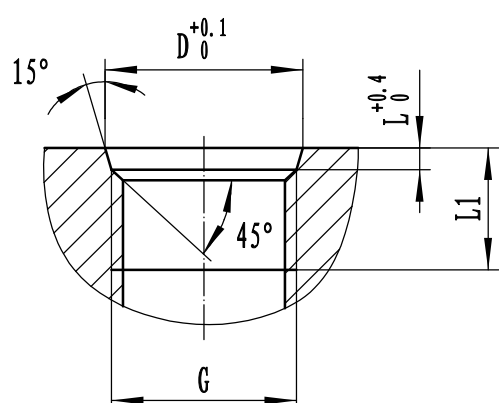


SAB花键参数 SABspline	
齿数 No. of tooth	11
径节 DP	16/32
压力角 Pressure angle	30°

油口型式 PORT TYPES



公制螺纹油口 Metric Straight thread	
M	L
M18X1.5	14
M22X1.5	16
M27X2	19



管螺纹油口 BSPP PORT			
G	D	L	L1
G3/4	30.46	3.92	17
G1/2	22.6	2.5	16
G3/8	18.6	2.5	12