

# M5 系列齿轮马达简介

*Introduction to M5 Series Motors*



## 特点

- 结构紧凑的重载轴套设计
- 排量从5至40ml/r
- 工作转速可达到3000r/min
- 采用高强度铸铁结构
- 高强度合金钢齿轮和连接轴
- 安装形式、油口、轴伸有多种设计可供选择
- 特殊耐磨涂层的浮动侧板保证高效率的输出
- 前后盖及泵体采用高精度的过渡配合圆柱销连接
- 100%出厂试验检测

## FEATURES

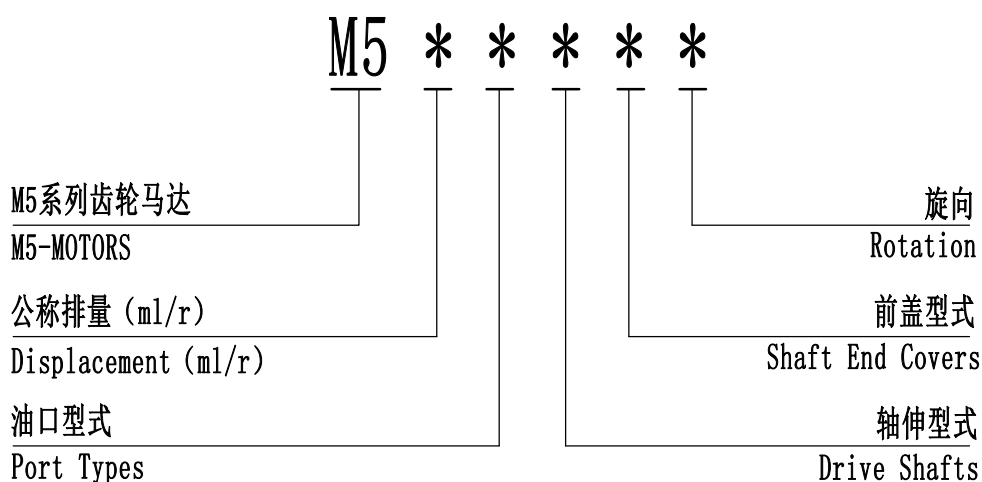
- Heavy duty sleeve bushing design in a small frame size
  - Cubic inch displacement from 0.31 through 2.48
  - Speeds up to 3000 RPM
  - High strength cast iron construction
- It is stable and reliable, long service life and light weight
- High strength alloy steel gear and shaft sets
  - A wide range of porting ,mounting and shaft options available
  - Floating side panels with special wear-resistant coatings to ensure efficient output
  - Cover and pump body with high precision transition with cylindrical pin connection
  - 100% factory tested

## 使用领域 APPLICATION FIELD

该产品设计构造适用于：液压冷却风扇、振动夯、泥浆泵动力、压路机等领域

The product design structure is suitable for: hydraulic cooling fan, vibration rammer, Mud Pump Power, roller and other fields

## 标准型号说明 STANDARD MODEL IDENTIFICATION



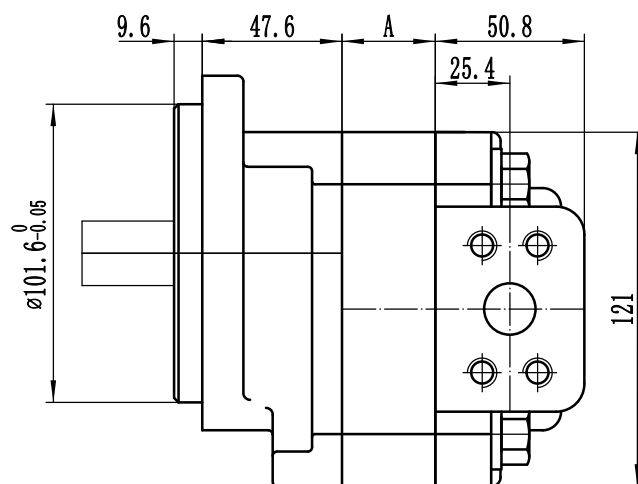
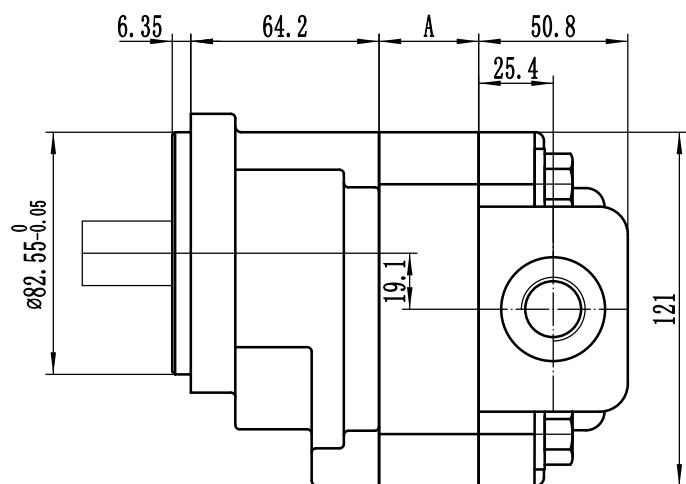
非标准产品型号请咨询派士乐研发中心

For non-standard product options ,consult PARSLE R&D Dept.

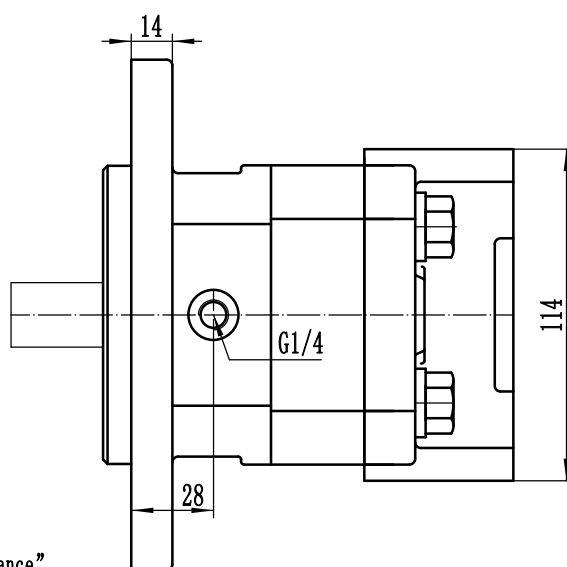
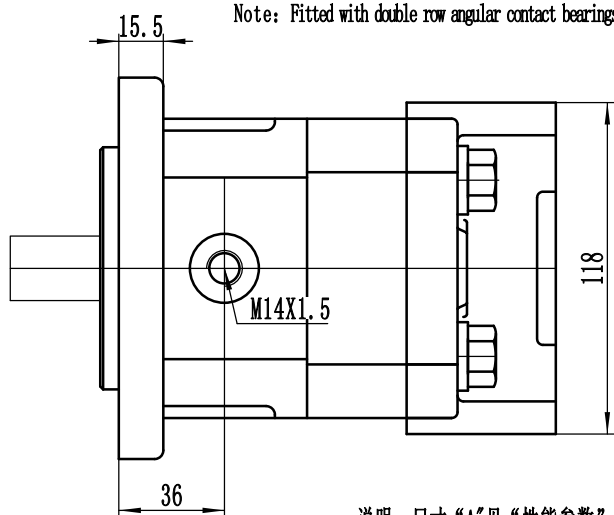
## 性能参数 PERFORMANCE

型号 Model	公称排量 Nominal displacement (ml/r)	额定压力 Rated Pressure (MPa)	最高压力 Max. Pressure (MPa)	最高转速 Max. Speed (r/min)	最低转速 Min. Speed (r/min)	A (mm)
M505	5	21	25	3000	600	16.4
M508	8					19.6
M510	10					22.7
M512	12.5					25.9
M516	16					29.1
M518	18					32.3
M520	20					35.4
M525	25					41.8
M530	30					48.1
M533	33					51.3
M535	35					54.5
M540	40					60.8

外形尺寸 Outline Dimensions

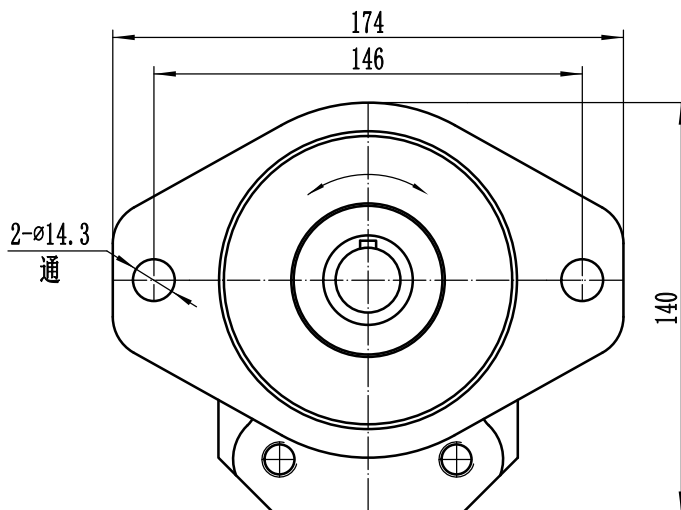
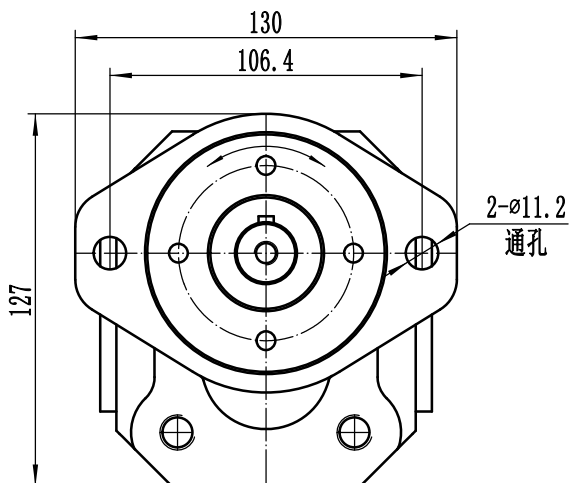


说明：装有双列角接触轴承  
 Note: Fitted with double row angular contact bearings

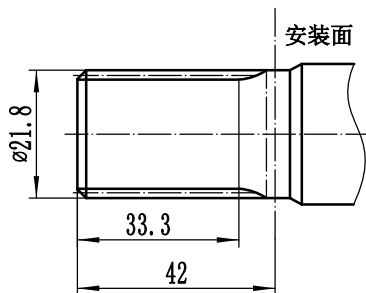


说明：尺寸“A”见“性能参数”  
 Note: Dimension “A” are covered in “performance”

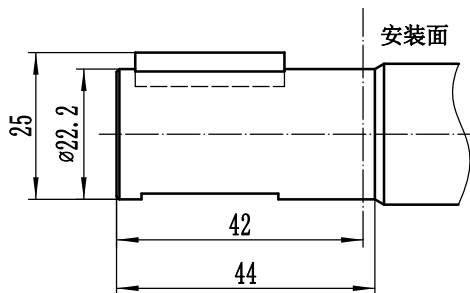
前盖型式 SHAFT END COVERS



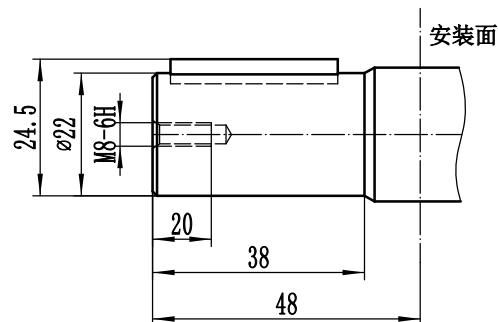
### 轴伸型式 DRIVE SHAFTS



SAE花键参数 SAEspline	
齿数 No. of tooth	13
径节 DP	16/32
压力角 Pressure angle	30°

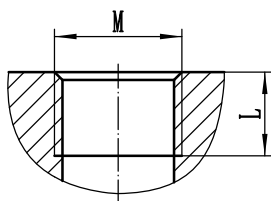


SAE 平键  
 键: 6.35X6.35X25.4  
 KEYED SAE  
 KEY: 1/4" (W) X1/4" (H) X1" (L)

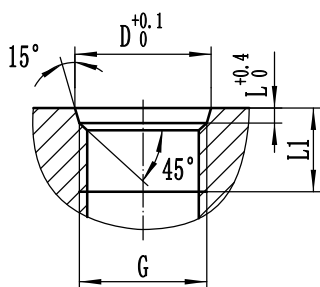


A型 平键  
 键: 6X6X30  
 KEYED A  
 KEY: 6mm (W) X6mm (H) X30mm (L)

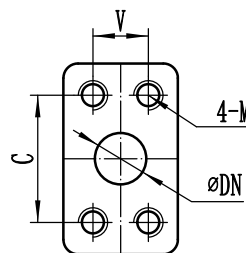
### 油口型式 PORT TYPES



公制螺纹油口 Metric Straight thread	
M	L
M22X1.5	16
M27X2	19
M33X2	19



管螺纹油口 BSPP PORT			
G	D	L	L1
G1	35.8	3.5	21
G1/2	30.46	3.92	17
G3/4	22.6	2.5	16



公制法兰油口 Metric Split Flange Port			
DN	C	V	M
19	47.6	22.3	M10
25	52.4	26.2	深15
32	58.7	30.2	deep15